

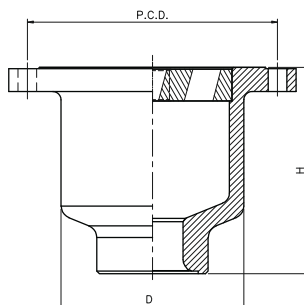
DC Series Full Cone Flanged Connection Spray Nozzles

DC

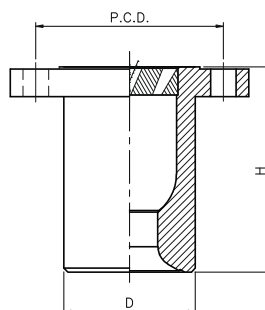
DC Type nozzles are designed to deliver large capacity value, with a carefully designed and machined inside profile, which offers uniform spray distribution and perfect performance even with very low inlet pressure values. The nozzle is made from castings or welded form steel bar.

Typical Application :

Even surface spraying, Cooling and washing of gas, column spraying as well as improvement of chemical reaction by surface enlargement



THIS DESIGN IS IN ABOVE
4" FLANGE END NOZZLE



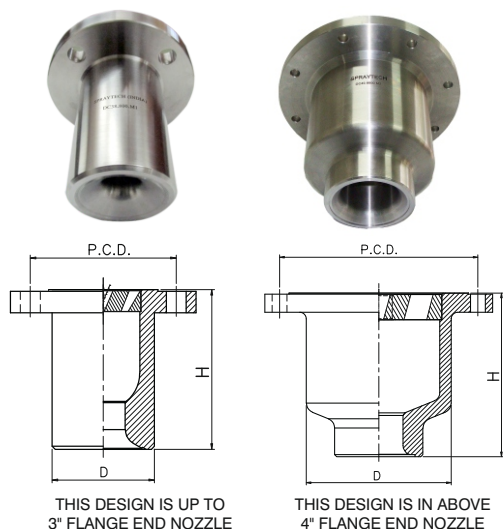
THIS DESIGN IS UP TO
3" FLANGE END NOZZLE



MODEL NO.	ORIFICE SIZE (mm)	FLOW CAPACITY IN LPM AT DIFFERENT PRESSURE VALUES									
		Pressure [bar]							ANSI 16.5 Flange Ø mm	PCD	H
60° SPRAY ANGLE		0.3	0.5	0.7	1.0	2.0	3.0	5.0			
DC34.800 (A)	37.0	309	400	473	565.69	800	979.80	1264.91	(3") 190.5	152.4	140
DC44.1000 (A)	41.4	387	500	591	707.11	1000	1224.74	1581.14	(3") 190.5	152.4	140
DC44.1250 (A)	46.3	484	625	739	883.88	1250	1530.93	1976.42	(4") 228.6	190.5	160
DC44.1600 (A)	52.3	619	800	946	1131.37	1600	1959.59	2529.82	(5") 254.0	215.9	177
DC44.2000 (A)	58.5	774	1000	1183	1414.21	2000	2449.49	3162.28	(5") 254.0	215.9	177
DC44.2500 (A, B)	65.4	968	1250	1479	1767.77	2500	3061.86	3952.85	(6") 279.4	241.3	190
DC44.3125 (A, B)	73.1	1210	1562	1848	2209.71	3125	3827.33	4941.06	(6") 279.4	241.3	190
DC44.4000 (B)	82.7	1549	2000	2366	2828.43	4000	4898.98	6324.56	(8") 342.9	298.4	250
DC44.5000 (B)	92.5	1936	2500	2958	3535.53	5000	6123.72	7905.69	(8") 342.9	298.4	250
DC44.6250 (B)	103.4	2420	3125	3697	4419.42	6250	7654.66	9882.12	(10") 406.4	361.9	290
DC44.8000 (B)	117.0	3098	4000	4732	5656.85	8000	9797.96	12649.11	(10") 406.4	361.9	290

Flange size can be changed to higher size on request

DC Series Full Cone Flanged Connection Spray Nozzles - Large Capacity



DC Type nozzles are designed to deliver large capacity value, with a carefully designed and machined inside profile, which offers uniform spray distribution and perfect performance even with very low inlet pressure values. The nozzle is made from castings or welded form steel bar.

Typical Application :

Even surface spraying, Cooling and washing of gas, column spraying as well as improvement of chemical reaction by surface enlargement

MODEL NO.	ORIFICE SIZE (mm)	FLOW CAPACITY IN LPM AT DIFFERENT PRESSURE VALUES									
		Pressure [bar]							ANSI 16.5 Flange Ø mm	PCD	H
90° SPRAY ANGLE		0.3	0.5	0.7	1.0	2.0	3.0	5.0			
DC36.800 (A)	37.0	309	400	473	565.69	800	979.80	1264.91	(3") 190.5	152.4	140
DC46.1000 (A)	41.4	387	500	591	707.11	1000	1224.74	1581.14	(3") 190.5	152.4	140
DC46.1250 (A)	46.3	484	625	739	883.88	1250	1530.93	1976.42	(4") 228.6	190.5	160
DC46.1600 (A)	52.3	619	800	946	1131.37	1600	1959.59	2529.82	(5") 254.0	215.9	177
DC46.2000 (A)	58.5	774	1000	1183	1414.21	2000	2449.49	3162.28	(5") 254.0	215.9	177
DC46.2500 (A, B)	65.4	968	1250	1479	1767.77	2500	3061.86	3952.85	(6") 279.4	241.3	190
DC46.3125 (A, B)	73.1	1210	1562	1848	2209.71	3125	3827.33	4941.06	(6") 279.4	241.3	190
DC46.4000 (B)	82.7	1549	2000	2366	2828.43	4000	4898.98	6324.56	(8") 342.9	298.4	250
DC46.5000 (B)	92.5	1936	2500	2958	3535.53	5000	6123.72	7905.69	(8") 342.9	298.4	250
DC46.6250 (B)	103.4	2420	3125	3697	4419.42	6250	7654.66	9882.12	(10") 406.4	361.9	290
DC46.8000 (B)	117.0	3098	4000	4732	5656.85	8000	9797.96	12649.11	(10") 406.4	361.9	290
DC48.10000 (B)	127.0	3872.98	3065	5000	7071.07	10000	12247.45	15811.39	(10") 406.4	361.9	290

MODEL NO.	ORIFICE SIZE (mm)	FLOW CAPACITY IN LPM AT DIFFERENT PRESSURE VALUES									
		Pressure [bar]							ANSI 16.5 Flange Ø mm	PCD	H
120° SPRAY ANGLE		0.3	0.5	0.7	1.0	2.0	3.0	5.0			
DC38.800 (A)	37.0	309	400	473	565.69	800	979.80	1264.91	(3") 190.5	152.4	140
DC48.1000 (A)	41.4	387	500	591	707.11	1000	1224.74	1581.14	(3") 190.5	152.4	140
DC48.1250 (A)	46.3	484	625	739	883.88	1250	1530.93	1976.42	(4") 228.6	190.5	160
DC48.1600 (A)	52.3	619	800	946	1131.37	1600	1959.59	2529.82	(5") 254.0	215.9	177
DC48.2000 (A)	58.5	774	1000	1183	1414.21	2000	2449.49	3162.28	(5") 254.0	215.9	177
DC48.2500 (A, B)	65.4	968	1250	1479	1767.77	2500	3061.86	3952.85	(6") 279.4	241.3	190
DC48.3125 (A, B)	73.1	1210	1562.5	1848	2209.71	3125	3827.33	4941.06	(6") 279.4	241.3	190
DC48.4000 (B)	82.7	1549	2000	2366	2828.43	4000	4898.98	6324.56	(8") 342.9	298.4	250
DC48.5000 (B)	92.5	1936	2500	2958	3535.53	5000	6123.72	7905.69	(8") 342.9	298.4	250
DC48.6250 (B)	103.4	2420	3125	3697	4419.42	6250	7654.66	9882.12	(10") 406.4	361.9	290
DC48.8000 (B)	117.0	3098	4000	4732	5656.85	8000	9797.96	12649.11	(10") 406.4	361.9	290
DC48.10000 (B)	127.0	3872	3065	5000	7071.07	10000	12247.45	15811.39	(10") 406.4	361.9	290

Flange size can be changed to higher size on request

