



AN ISO 9001 : 2015 Certified Company

CIN No : U29219MH2006PTC163469



Decide with Confidence

D&B D-U-N-S-Number: 92-002-9427

INJECTION QUILL FOR OIL & GAS, REFINERY AND PETROCHEMICAL INDUSTRY



Spraytech[®]
House

Spraytech[®]
Systems (India) Pvt. Ltd.





Spraytech Systems (India) Pvt. Ltd. was started by Shri. Bapusaheb Kharade, in early 2000 as a Spray Nozzle Manufacturer for replacement market catering to Steel Industries. Primarily company was started in a 1000 sq. feet workshop & within a decade it is elaborated to 7000 sq. feet modern factory. An another factory is started at Indapur 100 kms. away from Pune with a area of 2,00,000 sq. feet is again a big achievement for the Organisation. Recently Spraytech has started one another factory at Rabale (Navi Mumbai) with area of 13000 sq. feet. All three factories are facilitated with next generation class CNC machines, heavy material handling equipments to serve raising market demands with no compromise with world class product quality. Along with this field of engineering we are entered in forging to serve respective product demands.

"Spraytech" is a leading organization & a good name in the market for mfg. of Spray Nozzles, Injection Quills, Control Valves, Strainer Filters and Forged Fittings. We attribute our success to our motivated and skilled work force who can accomplish job orders of varying magnitudes and complexities. We are proud to have esteemed customers who have entrusted their faith in us over the years. The aim of our organization is customer satisfaction which is achieved through following objectives: Commitment to quality, Prompt response, Technological solutions, On time delivery, After sales service. Our challenge is to meet the widely ranging delivery demands of an equally diverse customer base coupled with constant up gradation of production equipment and techniques to keep pace with new market trends and applications.

EXPORTS

Having establish our presence in the Indian market, We are now aggressively venturing into exporting of our product to various. We are already exporting our product to Europe, Middle East, Far East and African Countries.

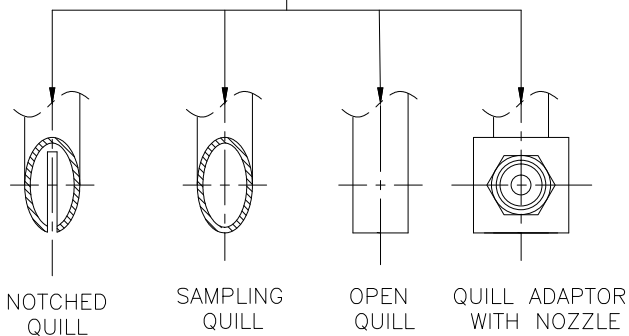
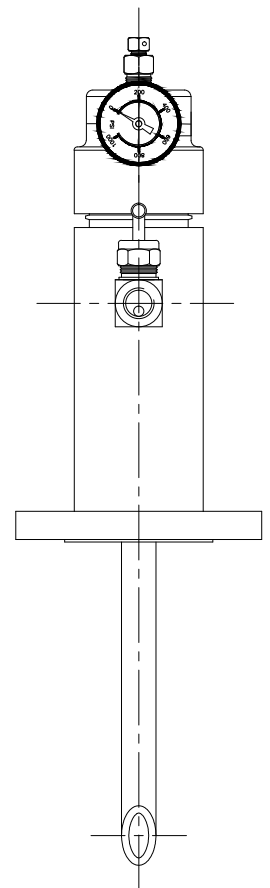
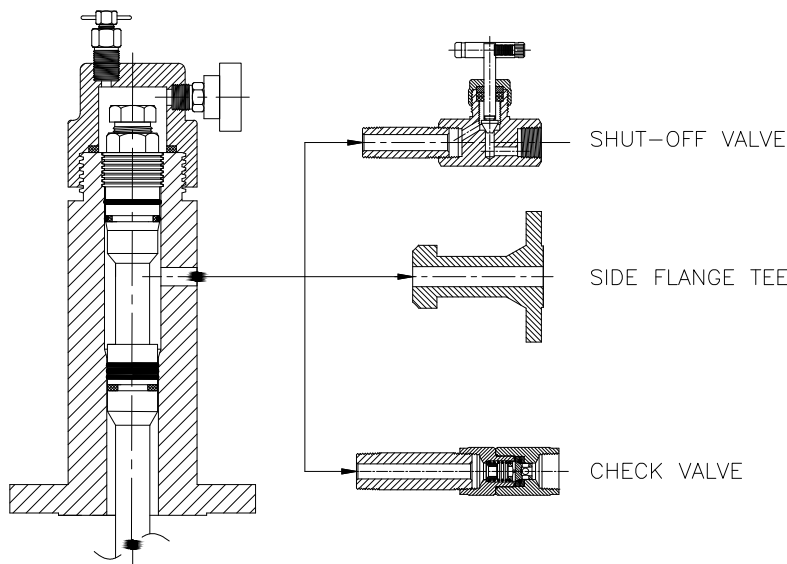
AN ISO 9001 : 2015 Certified Company.

QUALITY POLICY

Quality is a key feature of all the products made available by Spraytech Systems and is always upheld under all circumstance. All required material sourced from reliable vendors, who have reputed name in the market. To ensure the quality of each material, we are providing material test certificate along with supply. Our team of experts maintain a vigil on the quality of the products. Every single piece as attached with test certificate and reports. We are continually improving our quality to serve our clients better.

ONLINE RETRIEVABLE TYPE CHEMICAL INJECTION QUILL

The Spraytech online retrievable chemical injection quill assembly is the key to the concept of "Access under pressure any time, any place, when used with a Retriever and Service Ball Valve, the Chemical injection quill Assembly permits safe, easy insertion and retrieval of corrosion and erosion monitoring systems as well as preventive maintenance devices for injecting inhibitors or for sampling, etc. while under full operating pressure.

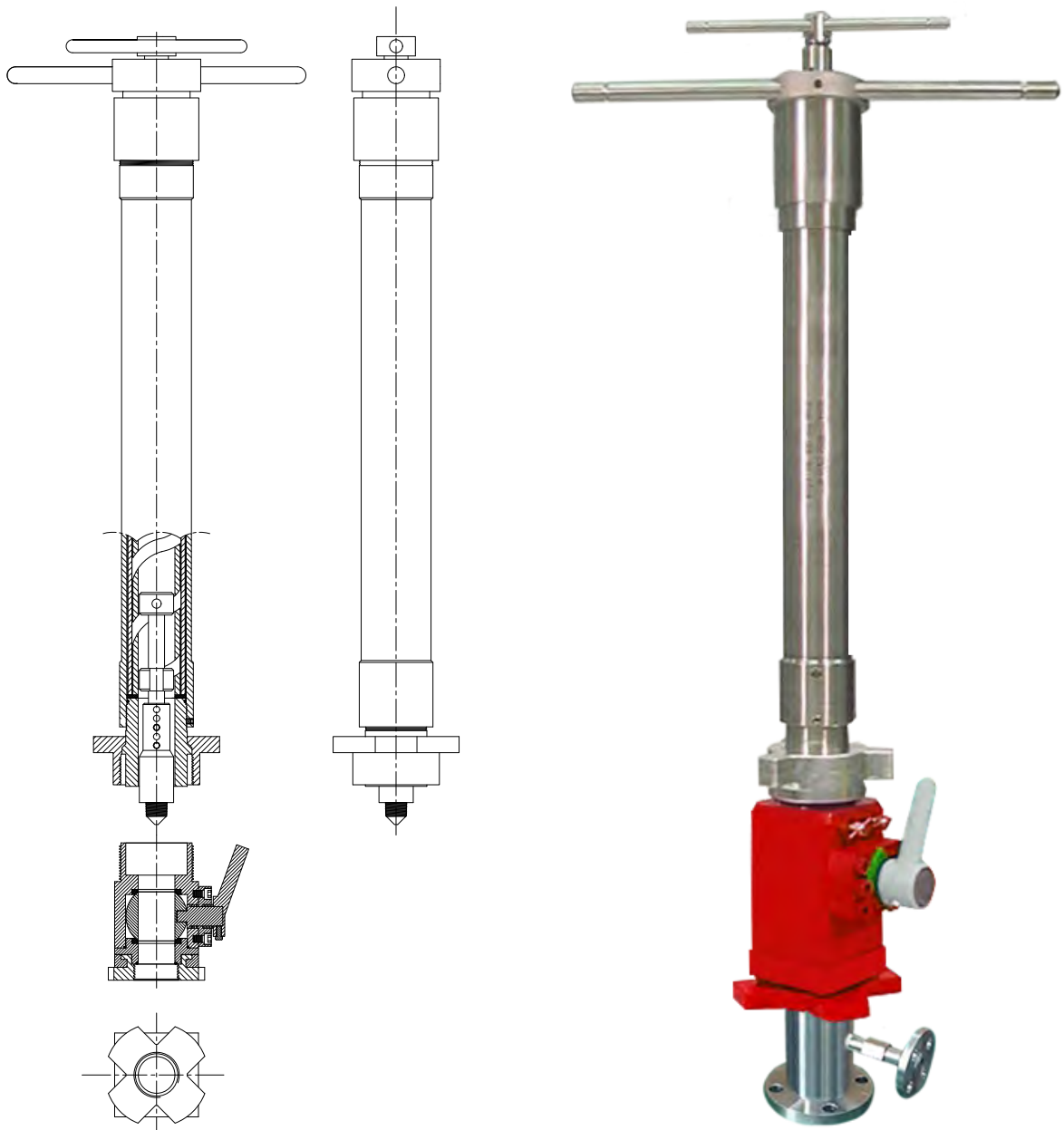


RETRIEVER TOOL KIT WITH SERVICE BALL VALVE

Spraytech Retrieval Tool and Service Valve is a high-quality tool for installing and retrieving probes and coupons under full operational pressure. Uses a unique technology on bypass valves with replaceable tips made with a soft material to ensure better performance with lower maintenance costs. Comes with a service valve with a built-in bleed off valve that allows tool drainage even on 12 o'clock positions.

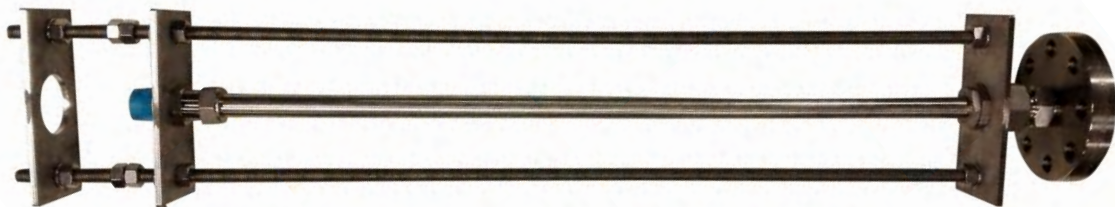
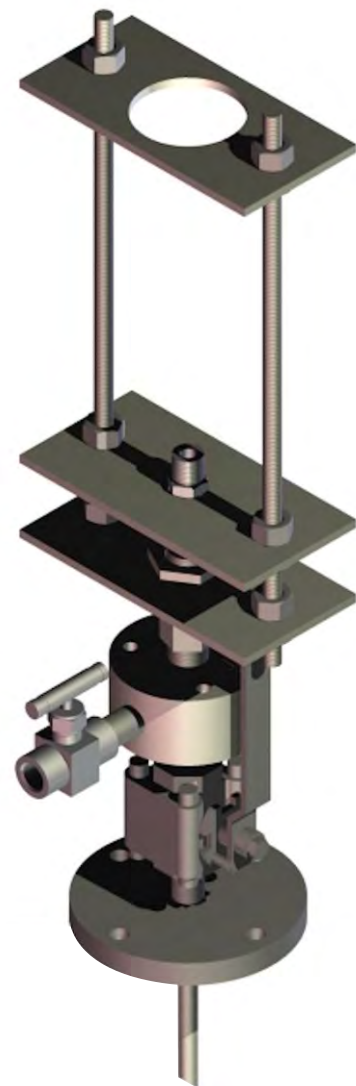
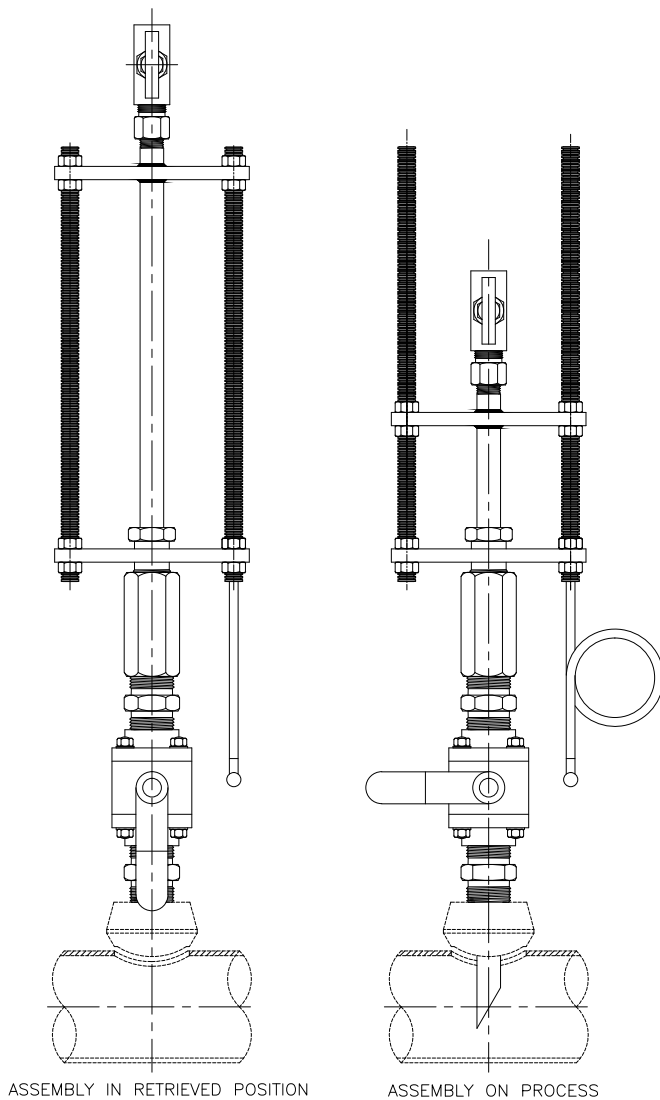
Features

- Temp. Rating — 15°F - 400°F (-26°C - 204°C)
- Pressure Rating - 2500 PSI.
- Short length construction for single person operation.
- Meets NACE MR0175 and Mr0103
- Compact design to allow retrieval in minimum clearance areas.



RETRACTABLE INJECTION QUILL WITH SAFETY CLAMP

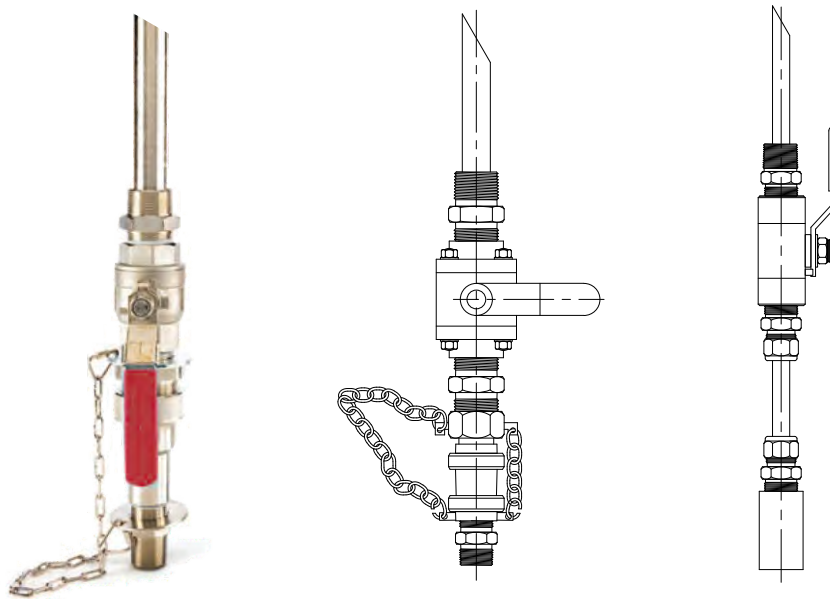
Retractable injection quill with safety clamp is designed for the accurate locking system allows easy insertion and removal of injection quill shafts. The ability to service this type of equipment on-line has provided a significant advantage, especially in applications where quills or nozzles may block due to process conditions or particles. Injection/sampling is done through a shut off valve at the end of the tube/quill. An optional check valve is available to ensure that the fluid in the system does not back flow to the injection equipment.



RETRACTABLE INJECTION QUILL WITH SAFETY CHAIN

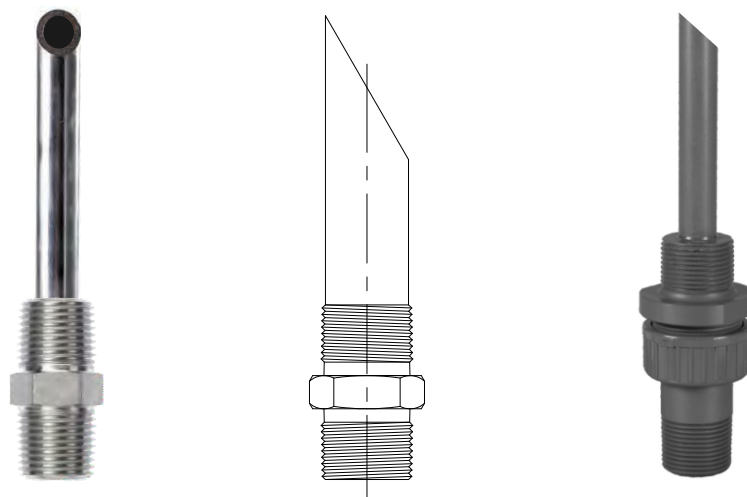
Safety chain injection quill are designed design for low pressure applications, It's commonly used to inject chemicals via metering pumps into tanks or headers which are under pressure and can be inserted or removed without having to shut down the system. The injection quill extends into the center of the water fluid providing more uniform chemical dispersion.

- Available in a variety of materials and lengths.
- Safety chain to prevent the injection quill from being completely withdrawn before the corporation stop valve is closed.



NON RETRACTABLE INJECTION QUILL

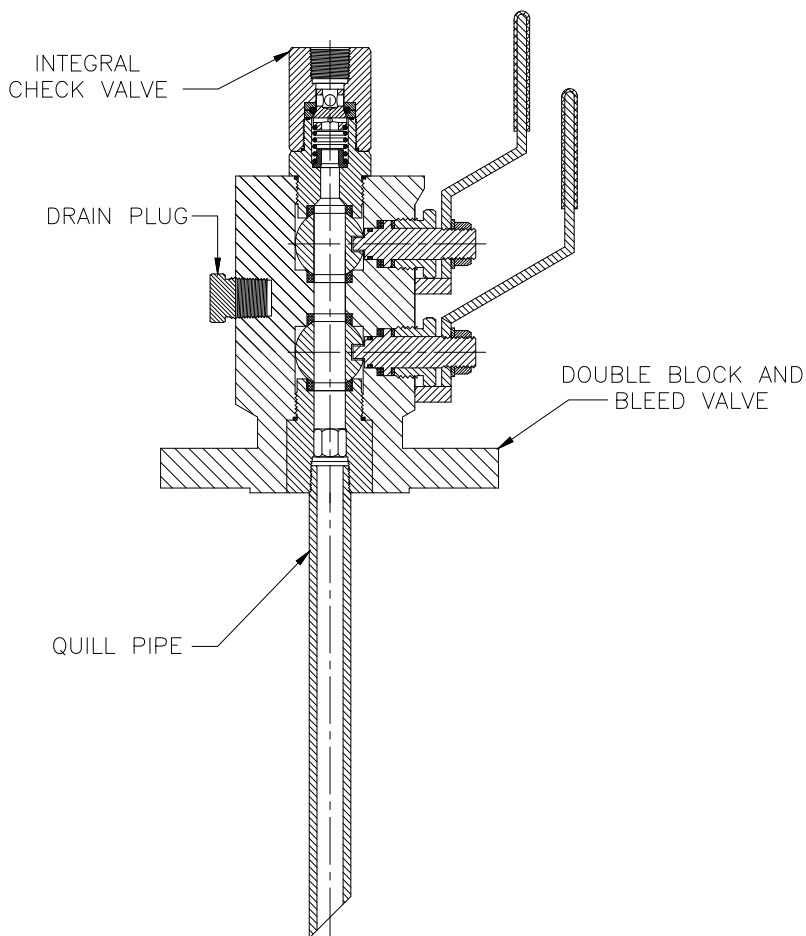
Non-retractable quill are best suited for installations into smaller diameter pipelines that can be shut down or isolated for maintenance of chemical injection process.



INJECTION QUILLS WITH DOUBLE BLOCK & BLEED VALVE

Injection Quills with Double Block and Bleed Valve are used where there is an often requirement to take a sample of the process fluid or inject a particular chemical directly into the process stream at full operating pressures and temperatures.

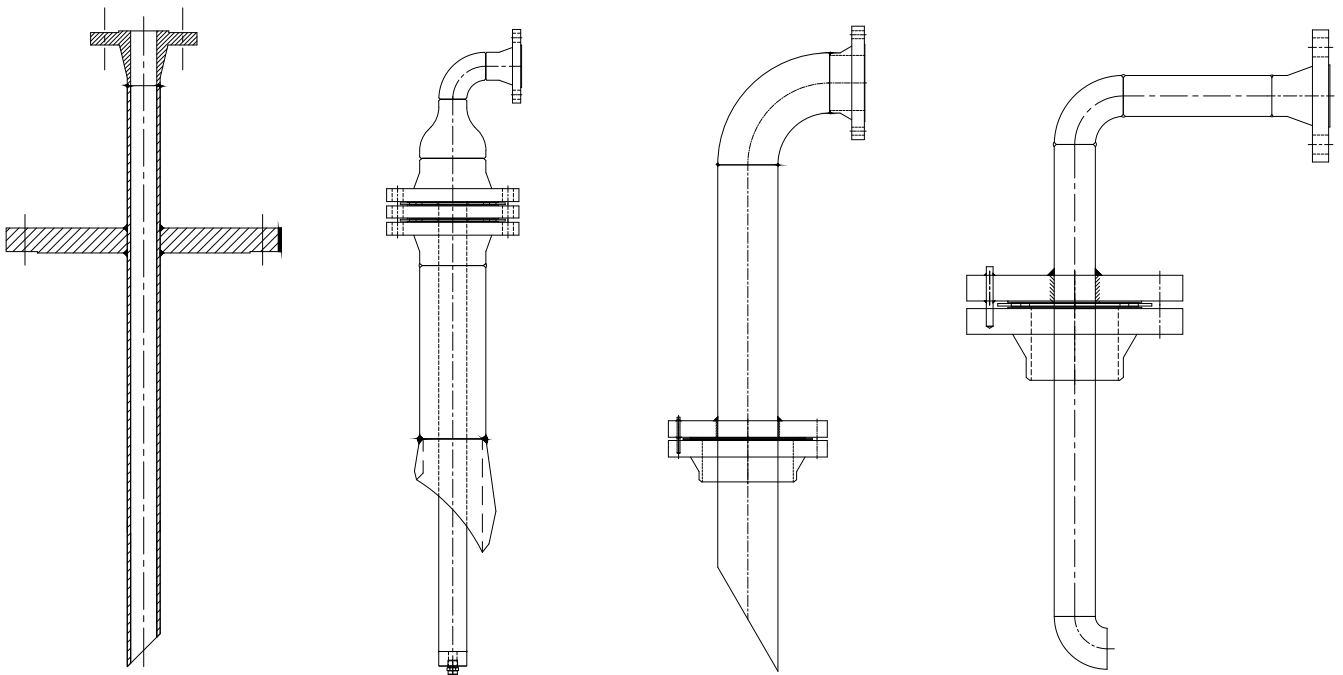
Using the primary and secondary isolation valves the required chemical is injected directly into the process stream. It is usual for Injection Valves to be fitted with a non-return check valve that only opens when chemicals are injected into the process line thus preventing back flow out of the process stream.



FIXED TYPE CHEMICAL INJECTION QUILL

The fixed type chemical injection quill assembly Spraytech designed and fabricated as per customers requirement. The inlet connections are raised face, weld neck flanges and the process connections are blind raised face flanges.

The flanges have pressure ratings from 150 to 2500 LBS. Some quills included a slot on the tip that creates turbulence in the fluid flow that helps distribute the injected fluid.



QUALITY CONTROL SYSTEM

Spraytech's goal of Quality Assurance is to improve development and test processes so that defects do not arise when the product is being developed.

Spraytech offers a variety of options for the Chemical injection quill assembly. Chemical Injection Quills are used to introduce medium to highly corrosive inhibitors into the pipeline without damage to the side port or pipe wall at the point of injection.



ULTRASONIC TESTING



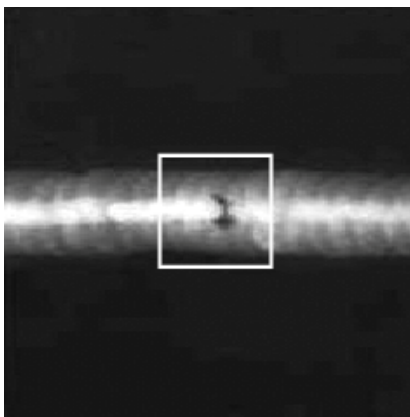
HARDNESS TESTING



DYE PENETRANT TESTING



MAGNETIC PARTICLE INSPECTION



RADIOGRAPHY



HYDROTESTING



POSITIVE MATERIAL IDENTIFICATION



DIMENSIONAL INSPECTION



DRY FILM THICKNESS

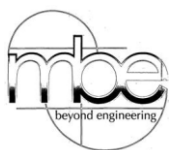
CLIENT LIST

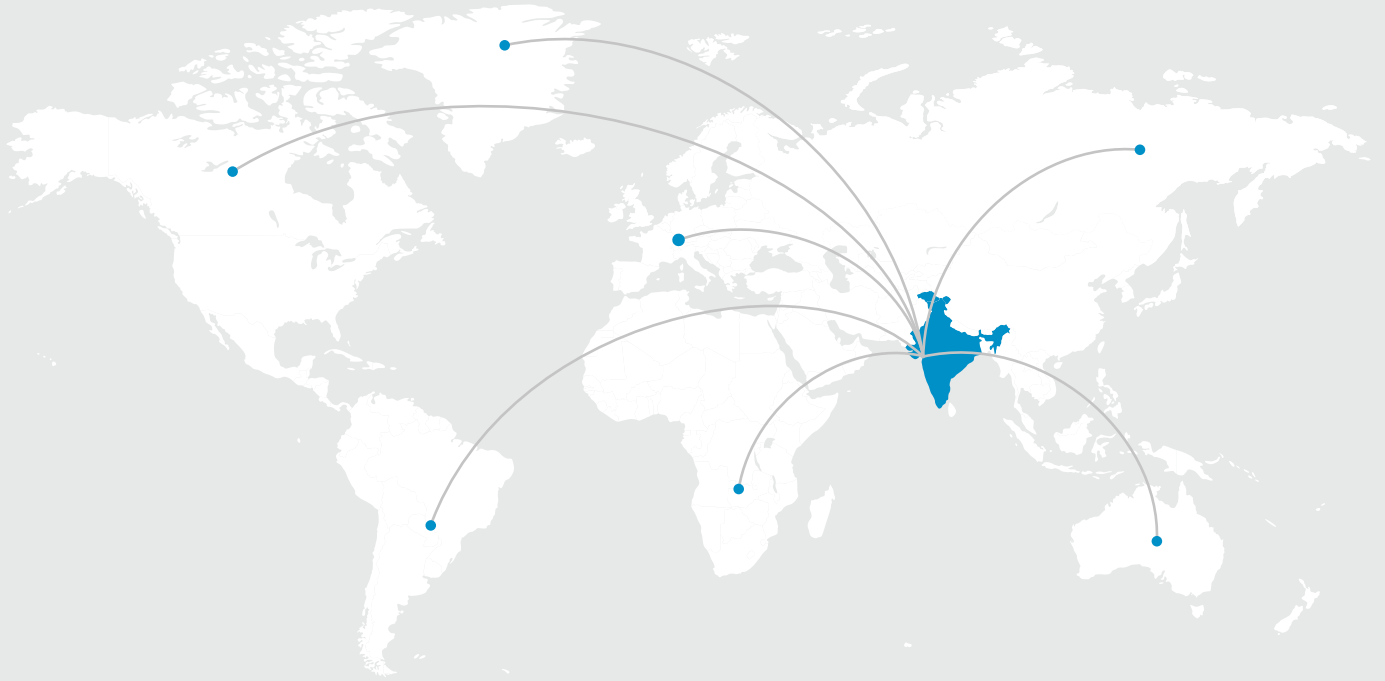


A Navratna Company



IndianOil





OUR BRANCHES

Regd. Office (Mumbai) :

Spraytech House, Plot A-132, Road No. 23, Spraytech Circle,
Wagle Indl. Estate, Thane (W) - 400 604. Mumbai Maharashtra, (India)
Tel. : 91-022-2582 8929 / 2735 / 2736
E-mail :- sales@spraytechindia.com
sales1@spraytechindia.com

Rabale Plant 1 (Navi Mumbai) :

Spraytech Systems (I) Pvt. Ltd., Plot No.: R-513, MIDC, TTC Industrial
Area, Rabale, Navi Mumbai - 400 701.

Rabale Plant 2 (Navi Mumbai) :

R-446, T.T.C. Industrial Area, MIDC Rabale,
Navi Mumbai - 400 701.

Branch Office (Pune) :

White House, Survey no. 161, Near
Bhosale Garden Hadapsar, Pune 411028

Indapur Plant (Pune) :

Spraytech Systems (I) Pvt. Ltd., Plot No.: A-5, Indapur Five Star
Industrial Area, Village - Loni Devkar Balpudi, Tal. - Indapur,
Dist. - Pune. - 413132

